

WHITE/RED ALL LED DOME LIGHT

IMPALA MODEL ECVDMLTALIMP and
UNIVERSAL MODEL ECVDMLTAL00

INSTALLATION

1. Remove the lens from the Dome Light.
2. Using the four (4) holes in the Dome Light Reflector as a template, mark the drill holes.
3. Mount the Dome Light using two (2) to four (4) screws.

NOTE

Be careful NOT to drill a hole in the vehicle's roof when mounting the Dome Light in the headliner. Make sure you are drilling into a roof support member and use short screws.

4. Replace the Dome Light lens.

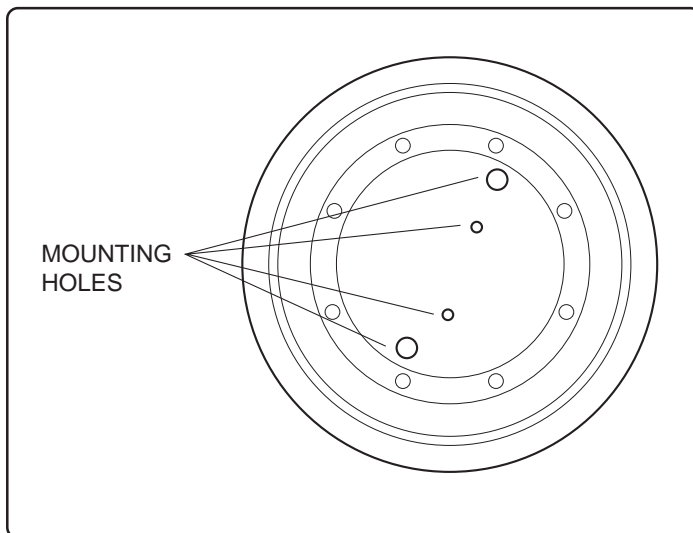


Figure 1.

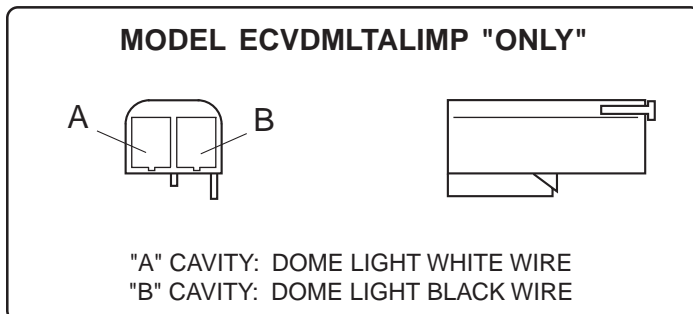


Figure 2.

WIRING

1. Connect the SoundOff Signal Dome Light's black wire to the vehicle's ground wire.
2. Connect the SoundOff Signal Dome Light's white wire to the vehicle's positive (+) wire.

Technical Support: 1-800-338-7337

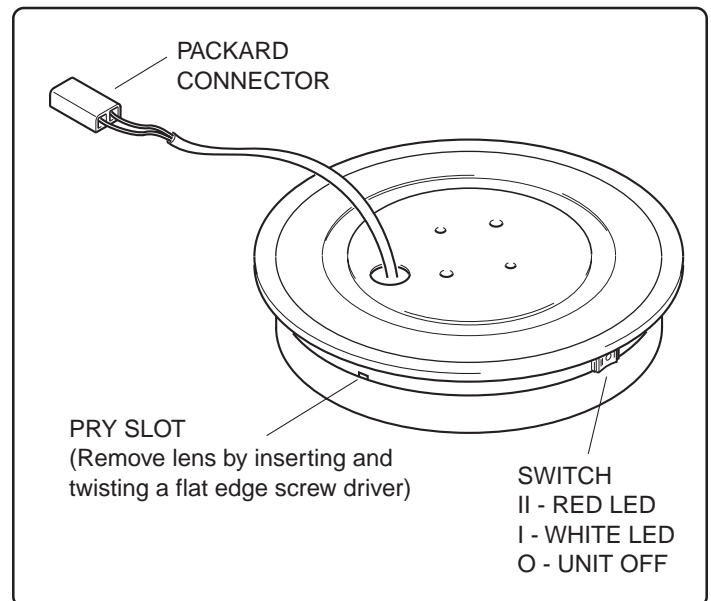


Figure 3.

WARRANTY

SoundOff Signal warrants the ECVDMLTALIMP Impala White/Red all LED Dome Light for 1 (full) year (5 years on the LED's) from the date of purchase, to the original purchaser, against any manufactured defects or workmanship. This warranty applies only to units installed according to manufacturer's instruction and operated within the units specifications.

SoundOff Signal's obligation under this warranty is limited to repairing or exchanging the unit.

Warranty claims should be returned directly to SoundOff Signal: Attention Warranty/Repair Department for consideration.