

INSTALLATION INSTRUCTIONS FOR SPEAKER BRACKET (ETSS100CBKTH) (2006 and OLDER CHEVROLET TAHOE)

SAFETY MESSAGE TO OPERATORS AND INSTALLERS OF SOUNDOFF SIGNAL SIREN/SPEAKER SYSTEMS.

Signaling Limitations:

Sirens/speakers provide an essential function of an effective audio-visual warning system. However, sirens are only short range secondary devices. The use of a siren/speaker system does not insure that all drivers can or will abide by or react to an emergency warning signal, especially at high rates of speeds or long distances. The operator of the vehicle must never take the right of way for granted and it is the operator's responsibility to proceed safely.

The effectiveness of the siren/speaker system is highly dependant on the correct mounting and wiring. The installer must read and follow manufacturer's installation instructions and warnings in the manual. The vehicle operator should verify the siren/speaker system is securely fastened to the vehicle and properly functioning.

Maximum sound output will be severely reduced if any objects are in front of the speaker. If your installation has obstructions in front of the speaker, drive even more cautiously.

Sound Hazards:

Effective siren/speaker systems generate loud sound pressure levels (120db) that can potentially cause permanent hearing damage. Installers and those around the vehicle need to be aware of the dangers and wear hearing protection whenever the siren system is operating.

Vehicle operators and occupants should asses their exposure to siren noise and determine what steps need to be taken to prevent hearing damage. For hearing conservations guidance, refer to federal, state, or local recommendations. OSHA Standard 1910.95 offers guidance on "Permissible Noise Exposure".

Qualifications:

To properly install a siren, you must have a good understanding of automotive systems, electronics and procedures.

The siren/speaker system is intended for use by authorized personnel only. The user's responsibility to ensure they understand and operate the emergency warning devices in compliance with all applicable city, state, and federal laws and regulations and have a thorough knowledge of state and federal UNIFORM TRAFFIC CODES.

SoundOff Signal assumes no liability for any loss resulting in the use of this warning device.

During Installation:

Do not get metal shavings inside of speaker. Metal shavings can cause speaker to fail. If metal removing must be done near the speaker, place a cover over the unit to prevent metal shavings from getting inside of speaker.

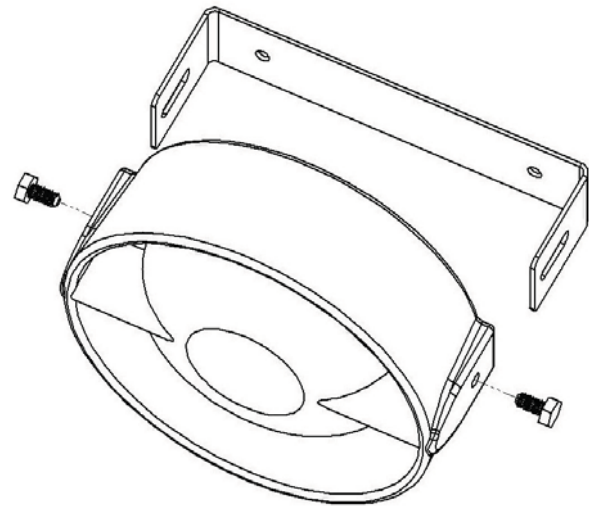
Do not route speaker wires where they may interfere with the operations or deployment of the air bag or it's sensors. Equipment mounted near the air bag deployment area will damage or reduce the effectiveness of the air bag. The user/installer assumes full responsibility to determine proper mounting location, based on providing safety for passengers inside the vehicle.

After Installation:

Test the siren and light system to ensure that everything is operating properly.

Test all vehicle functions to ensure that installation has not affected vehicle operation or changed vehicle safety function.

Store these instructions in a safe place and refer to them when performing maintenance and/or reinstallation of product.



Tahoe Installation Kit Includes:

- 1 - Tahoe 100C Mounting Bracket
- 2 - #12 x 1/2" Sheet Metal Screws

Tools Needed For Installation:

- Socket driver set
- Flat head screw driver
- Phillips head screw driver
- Drill with drill bit for #12 screw

Other Parts Needed For Installation:

- SoundOff Signal Speaker 100C and 2 hex head screws provided with speaker.

WARNING

Sirens produce loud sounds that may damage hearing:

- Roll up windows
- Wear hearing protection
- Use only for emergency response
- Avoid exposure to siren sound outside of vehicle



ETSS100CBKTH TAHOE SPEAKER BRACKET INSTALLATION:

1. Open hood and locate plastic shield between radiator cross bar and grille. Locate pop-up tabs that secure plastic shield. Remove and retain these tabs and remove shield.

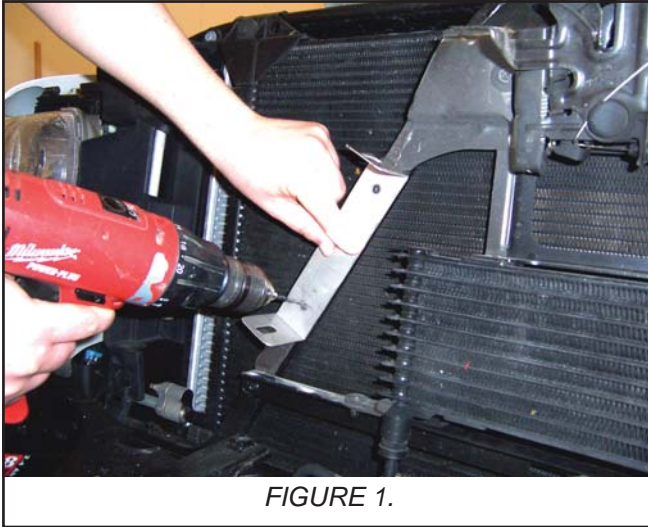


FIGURE 1.

2. Remove fascia to expose mounting location of speaker. 4 phillips drive locking tabs, two snap in tabs and 1 10mm bolt will release grille fascia from vehicle. Locations of fasteners shown in figure 2.

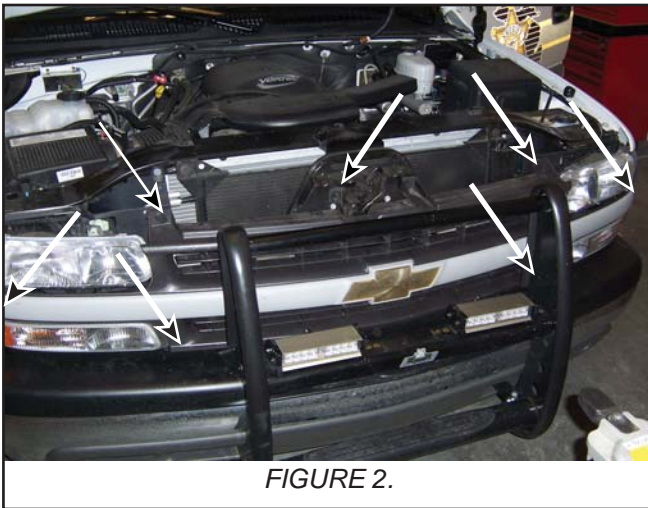


FIGURE 2.

3. Locate A frame member in front of radiator. Place Bracket on A frame as shown. Use speaker bracket as a template and mark 2 drill position marks on the A frame member. As shown in figure 3.

4. Drill 2 holes with the correct drill bit for a #10 screw on the drill position marks. Use caution when drilling. Before drilling be sure that both sides of mounting surface are clear of parts and electrical wiring.

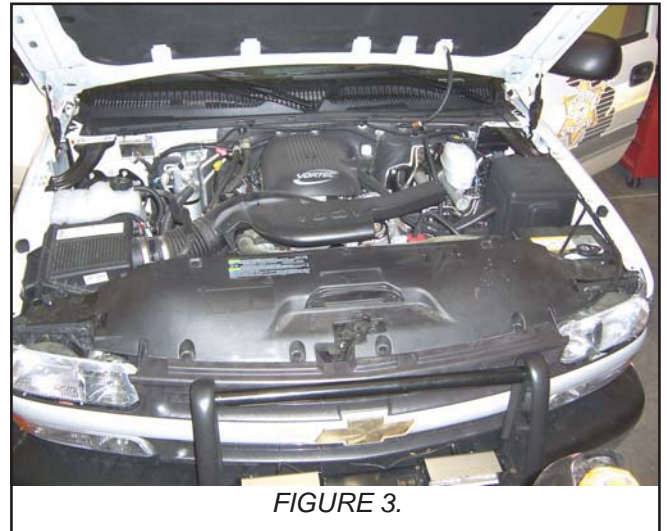


FIGURE 3.

5. Fasten bracket to A frame with screws provided with bracket.

6. Hand tighten 100C speaker to brackets using screws provided with speaker.

7. Set speaker to desired angle and tighten with wrench.

8. Set speaker to desired angle and tighten with wrench.

9. Connect wires from speaker to the electronic siren's speaker cable. Refer to siren instructions for details. Before replacing grille or covers, be sure to test the unit to be sure that it is functioning properly.

10. Replace grille fascia that was removed in step 2.

11. Replace plastic shield that was removed in step 1.

To review our Limited Warranty Statement & Return Policy for this or any SoundOff Signal product please visit our website at www.soundoffsignal.com and select the "Warranty & Returns" link along the left column of our home page. If you have questions regarding this product please contact Technical Services, Monday - Friday, 8 am to 5 pm at 1.800.338.7337, press #4 to skip the automated message.

Questions or comments that do not require immediate attention may be emailed to techsupport@soundoffsignal.com.

1.800.338.7337 / www.soundoffsignal.com / Thank you for trusting us with your safety!