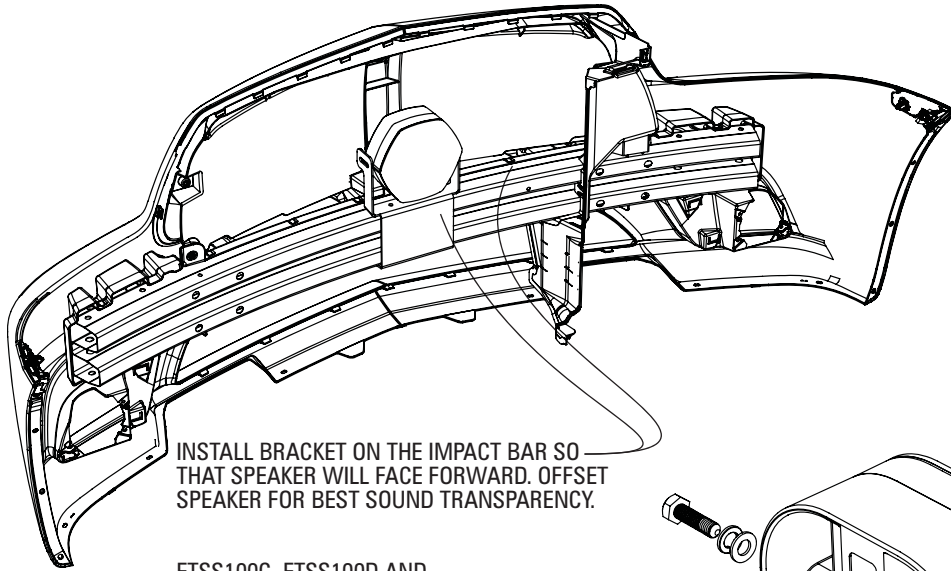


DODGE CHARGER SPEAKER BRACKET

ETSS100CBKDC11 (for 2011 model year)

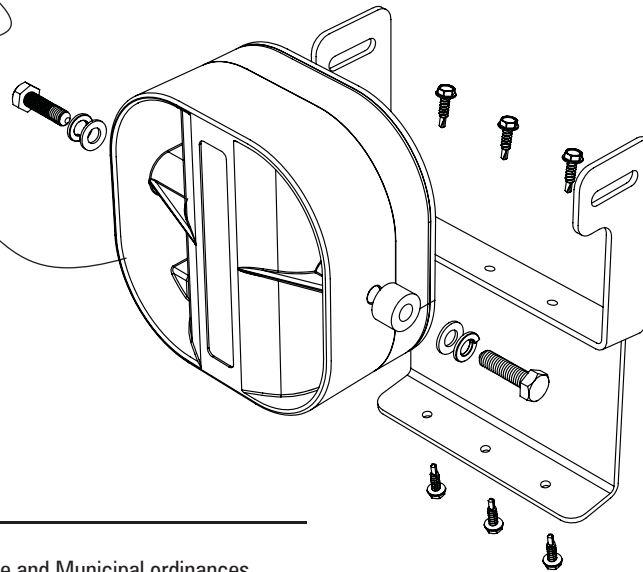
Note: It is recommended that the front bumper cover assembly be removed for access to front beam as shown at right. For complete explanation of disassembly contact a local Chrysler service center.



INSTALL BRACKET ON THE IMPACT BAR SO THAT SPEAKER WILL FACE FORWARD. OFFSET SPEAKER FOR BEST SOUND TRANSPARENCY.

ETSS100C, ETSS100D AND ETSS100H SIREN SPEAKERS WILL WORK WITH THE ETSS100CBKDC11 BRACKET (ETSS100H SPEAKER IS SHOWN AT RIGHT).

ASSEMBLY SHOWN IS REPRESENTATIVE ONLY. EACH SPEAKER IS SLIGHTLY DIFFERENT AND INSTALLER IS RESPONSIBLE FOR SECURE MOUNTING IN BRACKET.



INSTALLATION:

- 1) Front bumper cover assembly must be removed to install speaker bracket. Assembly should be removed as one piece and not individually. Consult a local Chrysler service center for best disassembly method. Keep all hardware.
- 2) Place the bracket in the position desired and mark hole locations. Note: Mount speaker off-center so that it has the least grill material in front of it. This will ensure the best performance.
- 3) If desired, drill pilot holes in impact bar (see #4 below for explanation).
- 4) Fasten bracket to cross-beam with 6 #10-16x3/4" self-drilling screws with 5/16" hex head. Screws do not need pilot holes but may be used if desired. DO NOT OVER-TIGHTEN screws as this may strip out holes.
- 5) Install speaker using the appropriate hardware. Follow all warnings and suggestions for installation.
- 6) Wire speaker to siren output and test.
- 7) Re-install front bumper cover assembly using previously removed hardware.

⚠ WARNING

- Sirens produce loud sounds that may damage hearing
- Roll up windows
 - Wear hearing protection
 - Use only for emergency response
 - Avoid exposure to siren sound outside of vehicle



TECHNICAL SPECIFICATIONS

Material:	Steel with powder coated black finish
Dimensions (bracket only):	9.4"H x 7.3"W x 2.4"D

Important Information:

- Warning devices are strictly regulated and governed by Federal, State and Municipal ordinances. These devices shall be used ONLY on approved vehicles. It is the sole responsibility of the user of these devices to ensure compliance.

SoundOff
Signal

To review our Limited Warranty Statement & Return Policy for this or any SoundOff Signal product please visit our website at www.soundoffsignal.com and select the "Warranty & Returns" link along the left column of our home page. If you have questions regarding this product please contact Technical Services, Monday - Friday, 8 am to 5 pm at 1.800.338.7337, press #4 to skip the automated message. Questions or comments that do not require immediate attention may be emailed to techsupport@soundoffsignal.com.

1.800.338.7337. / www.soundoffsignal.com / Thank you for trusting us with your safety!