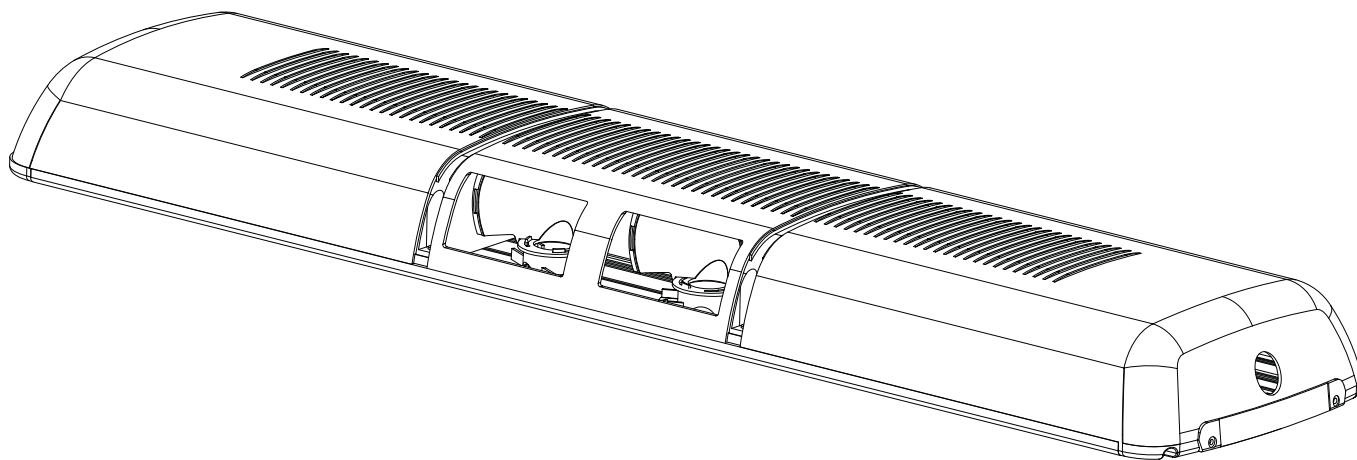




3900 Central Parkway
Hudsonville, MI 49426
toll free 800.338.7337
office 616.896.7100
techsupport@soundoffsignal.com
www.soundoffsignal.com



***OWNER'S MANUAL &
INSTALLATION INSTRUCTIONS***

NOTE TO INSTALLERS

IMPORTANT NOTICE TO INSTALLER:

Make sure to read and understand all instructions and warnings before proceeding with the installation of this product. Ensure that the manual and any warning cards are delivered to the end user of this equipment.

Proper installation of the lightbar requires the installer to have a thorough knowledge of automotive electronics, systems, and procedures.

Lightbars provide an essential function of an effective visual warning system. The use of the lightbar does not insure that all drivers can or will abide by or react to an emergency warning signal, especially at high rates of speeds or long distances. The operator of the vehicle must never take the right of way for granted and it is the operator's responsibility to proceed safely.

The effectiveness of the this lightbar is highly dependant on the correct mounting and wiring. The installer must read and follow the manufacturer's installation instructions and warnings in the manual. The vehicle operator should verify the lightbar is securely fastened to the vehicle and properly functioning before operating vehicle daily.

The lightbar is intended for use by authorized personnel only. It is the user's responsibility to ensure they understand and operate the emergency warning devices in compliance with the applicable city, state and federal laws and regulations.

SoundOff signal assumes no liability for any loss resulting from the use of this warning device.



WARNING

**THIS PRODUCT CONTAINS STROBE, HALOGEN,
AND/OR LED LIGHTING TECHNOLOGY. DO NOT
STARE DIRECTLY INTO THE LIGHTS AS
MOMENTARY BLINDNESS OR EYE DAMAGE
COULD RESULT.**

PRE-INSTALLATION

Unpack box -

1. Remove the light bar and packaging.
2. Save packaging for later shipping.
3. Check components/contents.
4. Please reference this instruction manual for proper wiring and installation.

Tools Required for Installation:

5/32" Allen Driver
7/16" open ended wrench
1/2" Socket with ratchet
Phillips Head Screwdriver
Electric Drill with #30 drill bit
1 1/4" Hole Saw

Components/Contents

1 - MTL 2000 LED Lightbar
1 - Mounting Kit
 2 - Mounting Brackets
 2 - Adjustable Rubber Feet
 2 - 1/4"-20 x 1.5" SHCS
 2 - 1/4"-20 Hex Nut
 2 - Vehicle Specific Brackets
 8 - #8 x 1/2" Phillips Drive Sheet Metal Screws
 4 - 3/8" External Tooth Lockwasher
 1 - Roofside Cable Grommet
 8 - 5/8"-16 x 3/4" Carriage bolts
 8 - 5/8" Split Lockwasher
 8 - 5/8" Flat Washers

Using a high current power supply or +12 Volt battery, test your new MTL-2000 lightbar prior to installation onto the vehicle to verify your bar is properly configured and functioning properly.

DRILLING ANY HOLES INTO THIS PRODUCT IS NOT RECOMMENDED! THE RISK OF DAMAGING INTERNAL COMPONENTS AND THE RESULTING FAILURE OF THE LIGHT BAR WILL VOID ANY WARRANTY OF THIS PRODUCT.

SoundOff
Signal |||||



At anytime during your installation process, feel free to call our technical assistance line at 1-800-338-7337. You can also visit our website at www.soundoffsignal.com or email technical assistance at techsupport@soundoffsignal.com.

MTL 2000 INSTALLATION

1. Assemble mounting bracket as shown in figure 1. Your vehicle specific bracket may look differently; figure shown as a reference.

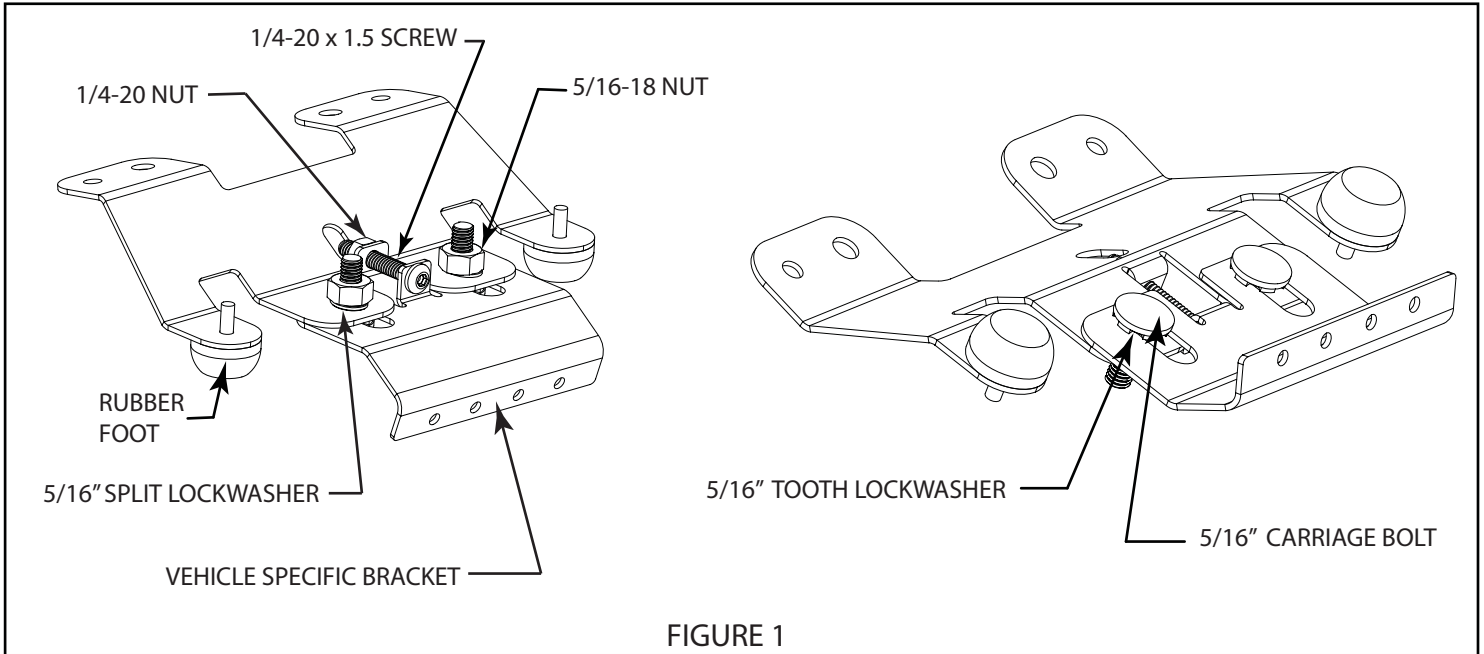


FIGURE 1

2. Assemble mounting bracket assembly to bottom of bar using 5/16"-18 carriage bolts, 5/16" split lockwashers and 5/16"-18 nuts. Leave nuts loose so that brackets may slide to accommodate your specific vehicle roof width.

3. Set bar on vehicle to determine position of brackets according to vehicle roof width. Be sure that bar is centered left to right about vehicle and brackets are centered about "B" pillar. Tighten nuts that hold bracket assembly's to bar.

4. Using vehicle specific bracket as template, drill 4 holes on each side using #30 drill bit.

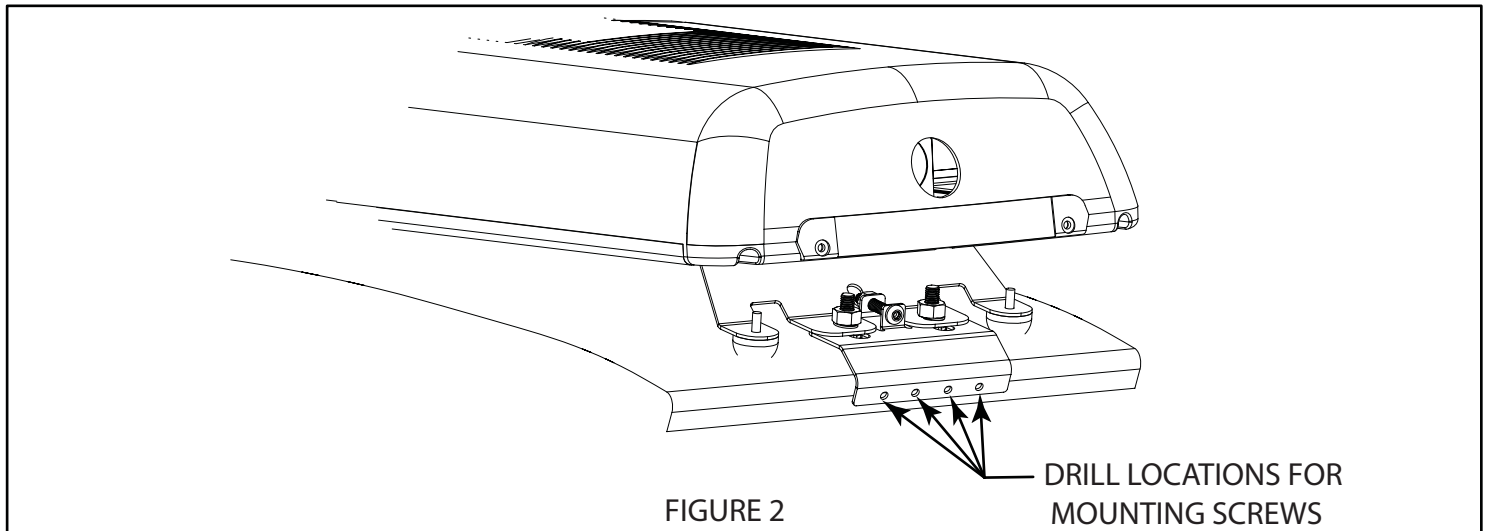


FIGURE 2

DRILL LOCATIONS FOR
MOUNTING SCREWS

WARNING - CARE MUST BE TAKEN WHEN DRILLING THROUGH THE ROOF OF THE VEHICLE NOT TO DRILL INTO ANY EXISTING WIRING AND NOT TO DRILL THROUGH THE HEADLINER OR SUPPORT MEMBERS OF THE VEHICLE. CHECK BOTH SIDES OF THE MOUNTING SURFACE PRIOR TO DRILLING. DE-BURR ANY HOLES AND REMOVE ANY METAL SHARDS OR REMNANTS. INSTALL GROMMETS INTO ALL WIRE PASSAGE HOLES.

MTL 2000 INSTALLATION

5. Secure each vehicle specific bracket that is assembled to bar using supplied #8 x .50 truss head screws.
6. Tighten bracket assembly to roof and tighten all nuts and bolts to secure lightbar/bracket assembly to vehicle.
7. Determine best location for wire entry into vehicle and using 1 1/4" hole saw cut hole into roof.
8. Route cables into vehicle and to the switching location. Use the supplied rubber grommet in roof for sealing/protecting of wires.
Note: The use of RTV may be required to ensure the grommet/wire entry does not allow water to enter vehicle.

WARNING - ROUTE WIRES ONLY IN LOCATIONS THAT ARE NOT SUBJECTED TO POTENTIAL WEAR. MAKE SURE TO AVOID ROUTING WIRES IN THE DEPLOYMENT AREA OF YOUR AIR BAG. REFER TO YOUR VEHICLE OWNER'S MANUAL FOR AIR BAG DEPLOYMENT ZONES

9. Wire connections will depend on the configuration of the lightbar. See included wire schematic for further details.

WARNING: ALL WIRES MUST BE FUSED TO ENSURE PROTECTION IN THE EVENT A SHORT CIRCUIT OR OVERLOAD CONDITION OCCURS. REFER TO CHART INCLUDED WITH WIRE SCHEMATIC FOR PROPER FUSE RATING.

PRODUCT MAINTENANCE

CLEANING -

Keeping the lenses clean and scratch free will optimize the performance of the lightbar. To clean use a soft cotton cloth and soapy water to clean dirt and insects off from the lenses. Never use harsh chemicals on the lenses; this may cause failure of the lenses or reduce clarity resulting in the reduction of light output.

The exterior of the lightbar also should be cleaned with soapy water and a soft cotton cloth.

MOUNTING INTEGRITY:

A review of bolt/hardware/mounting bracket integrity should be performed at the beginning and end of each shift.

WARRANTY & RETURN GOODS PROCEDURE

SoundOff Signal products are tested and found to be operational at the time of manufacture. SoundOff Signal warrants the MTL-2000 Mixed Technology Lightbar for a period of (5) five years on the strobe power supplies, flashers, and housing . (90) ninety days on the strobe tubes and halogen lamps from date of purchase to the original purchaser against any manufactured defects in material and/or workmanship under normal use. SoundOff Signal's obligation to this warranty is limited to repair or exchange of the defective product. This warranty is of a 100% replacement value, within the stated period, and applies only to units installed according to the manufacture's installation instructions and operated within their specifications. Warranty is void if unit was installed incorrectly or failure/destruction of the product was a result of abuse or unusual use and/or accidents. All warranty claims NOT accompanied by a dated proof of purchase will be considered using the original product's date of manufacture.

SoundOff Signal retains the right to be the sole mediator of what constitutes defects in performance or manufacturing.

Warranty Return Process

Please contact your SoundOff Signal Sales Representative, Customer Services staff or our Technical Department (800.338.7337) for a RGA (Return Goods Authorization) number.

The following information is required for issuance of the RGA#:

- Reason for returning the product*
- Address where replacement product is to be shipped*
- Telephone number where you may be reached*
- SoundOff Signal invoice number on which product was purchased**
- SoundOff Signal part number and serial number**
- E-mail address where RGA# should be emailed**
- Fax number where RGA # should be faxed**

SoundOff Signal will NOT accept returns without an RGA number. Each RGA number is good for only one (1) item and will expire (7) days after the date it was issued. Products must be shipped back to SoundOff Signal and the RGA number clearly marked on the outside of the package near the shipping label. Please use the following address on your shipping label:

ATTN: RGA#
SoundOff Signal
3900 Central Parkway
Hudsonville, MI 49426

Please see reverse side for manufacturer warranty.

Warranty Exclusions

Shipping & Handling, labor and service fees are non-refundable. SoundOff Signal is not liable for any damage due to installation or personal injury as a result of using SoundOff Signal product. Halogen bulbs are also excluded from warranty.

Warranty Forfeitureh

Warranty will not be granted if the Warranty Return Policy & Procedure rules are not strictly followed. Physical damage resulting from customer abuse will void warranty. Warranty will also be voided if any SoundOff Signal and/or manufacturer serial tags, product stickers, seals, or the like, are removed, altered or tampered with. Returned product that is damaged by shipping via the RGA procedure is not the responsibility of SoundOff Signal.

*RGA will not be given without this information.

** If available, please provide this information.

Document effective date January 2006 and supersedes previously dated policies and statements.

There are no other warranties, expressed or implied, including, but not limited to, any implied merchantability or fitness for a particular use. SoundOff Signal reserves the right to modify this warranty statement at any time; or to discontinue, modify, or upgrade any products of its manufacture with design improvements without prior notice.

f